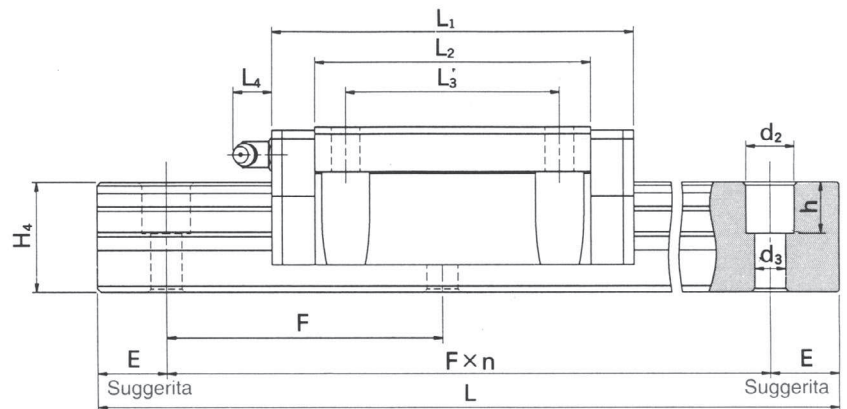
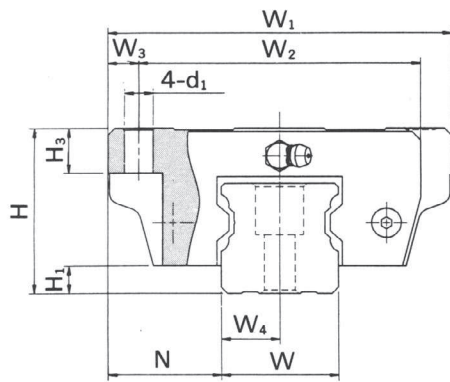
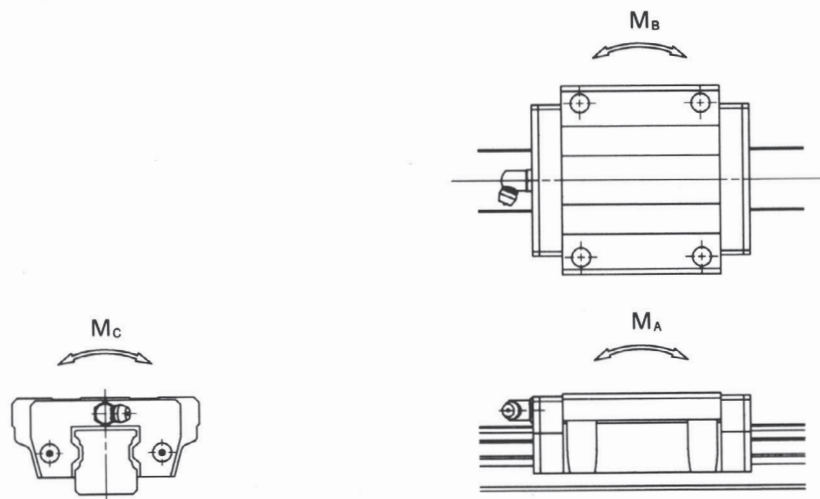


Modello H-EB • H-LEB



unità: mm

Modello N.º	Dimensioni di montaggio			Dimensioni del cursore									Ingrassatore
	H	H ₁	N	W ₁	W ₂	W ₃	L ₁	L ₂	L ₃	L ₄	H ₃	d ₁	
H15EB	24	4.6	16	47	38	4.5	58.5	38.5	30	0	7	4.5	NAS516-1A
H20EB	30	5	21.5	63	53	5	73	50	40	0	8	6	NAS516-1A
H25EB	36	6.5	23.5	70	57	6.5	83	59	45	12	10	7	B-M6F
H25LEB	36	6.5	23.5	70	57	6.5	107	83	45	12	10	7	B-M6F
H30EB	42	7	31	90	72	9	97	68	52	12	13	9	B-M6F
H30LEB	42	7	31	90	72	9	123	94	52	12	13	9	B-M6F
H35EB	48	8	33	100	82	9	112	80	62	12	13	9	B-M6F
H35LEB	48	8	33	100	82	9	141	109	62	12	13	9	B-M6F
H45EB	60	11	37.5	120	100	10	139	102	80	14	15	11	B-PT1/8
H45LEB	60	11	37.5	120	100	10	167	130	80	14	15	11	B-PT1/8
H55EB	70	14	43.5	140	116	12	159	124	95	16	17	14	B-PT1/8
H55LEB	70	14	43.5	140	116	12	191	156	95	16	17	14	B-PT1/8
H65EB	85	14	53.5	170	142	14	188	148	110	16	20	16	B-PT1/8
H65LEB	85	14	53.5	170	142	14	247	207	110	16	20	16	B-PT1/8



unità: mm

Dimensioni del binario								Capacità di carico nominale kgf		Momenti statici nominali kgf·m			Peso		Modello N.º
W	W ₄	H ₄	d ₂	d ₃	h	E	F	C	Co	M _A	M _B	M _C	corsore kgf	binario kgf/m	
15	7.5	17	7.5	4.5	7	20	60	790	1160	7	7	11	0.19	1.7	H15EB
20	10	21	9,5	6	11	20	60	1340	1950	14	14	27	0.42	2.8	H20EB
23	11.5	24	11	7	11	20	60	1900	2610	24	24	38	0.69	3.7	H25EB
23	11.5	24	11	7	11	20	60	2380	3610	47	47	52	0.97	3.7	H25LEB
28	14	28	14	9	14	20	80	2670	3540	39	39	61	1.3	5.3	H30EB
28	14	28	14	9	14	20	80	3220	4630	66	66	80	1.8	5.3	H30LEB
34	17	32	14	9	15	20	80	3600	4630	58	58	96	1.8	7.5	H35EB
34	17	32	14	9	15	20	80	4520	6410	110	110	133	2.5	7.5	H35LEB
45	22.5	42	20	14	21	22.5	105	5870	7240	113	113	196	3.1	12.9	H45EB
45	22.5	42	20	14	21	22.5	105	7080	9460	192	192	257	4.0	12.9	H45LEB
53	26.5	48	23	16	24	30	120	9130	11220	224	224	357	5.1	17.3	H55EB
53	26.5	48	23	16	24	30	120	10500	13600	330	330	433	6.5	17.3	H55LEB
63	31.5	58	26	18	25	35	150	13900	16280	378	378	629	9.1	24.9	H65EB
63	31.5	58	26	18	25	35	150	17500	22500	724	724	869	13.1	24.9	H65LEB